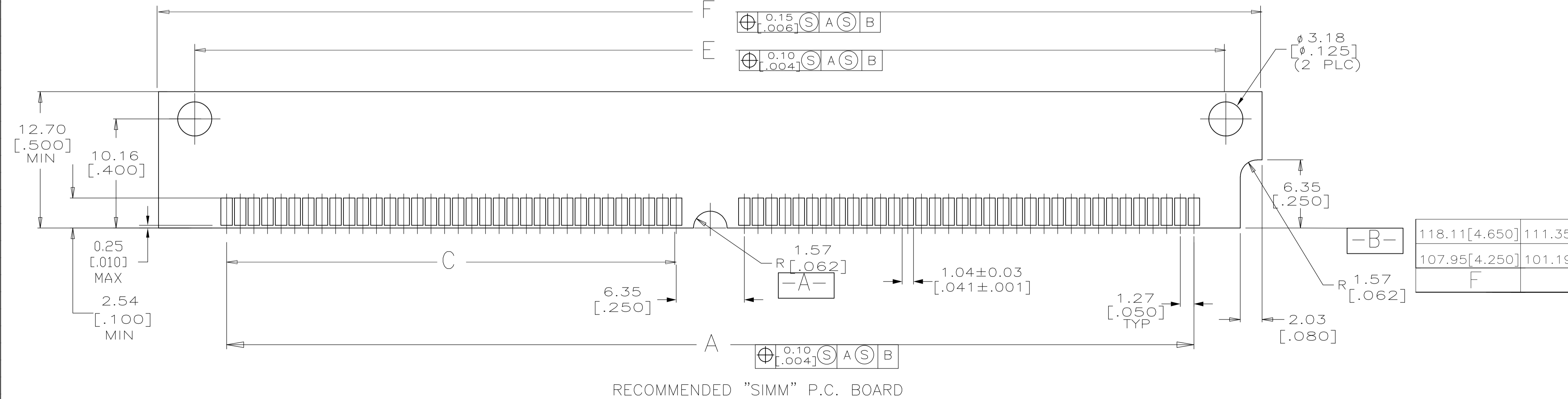
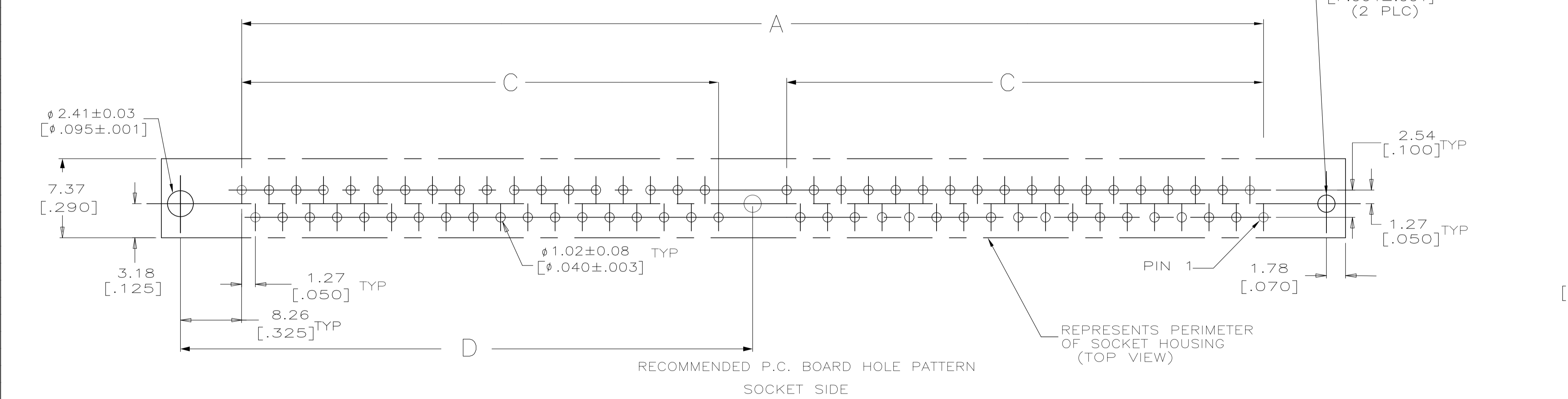
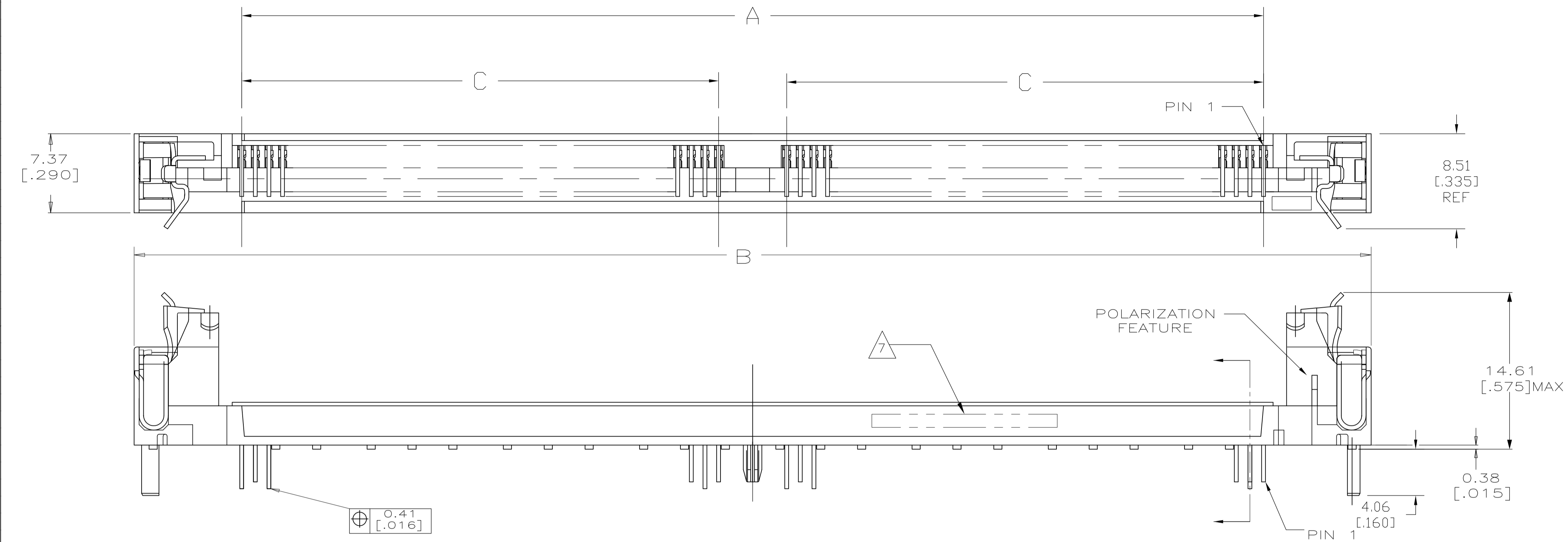
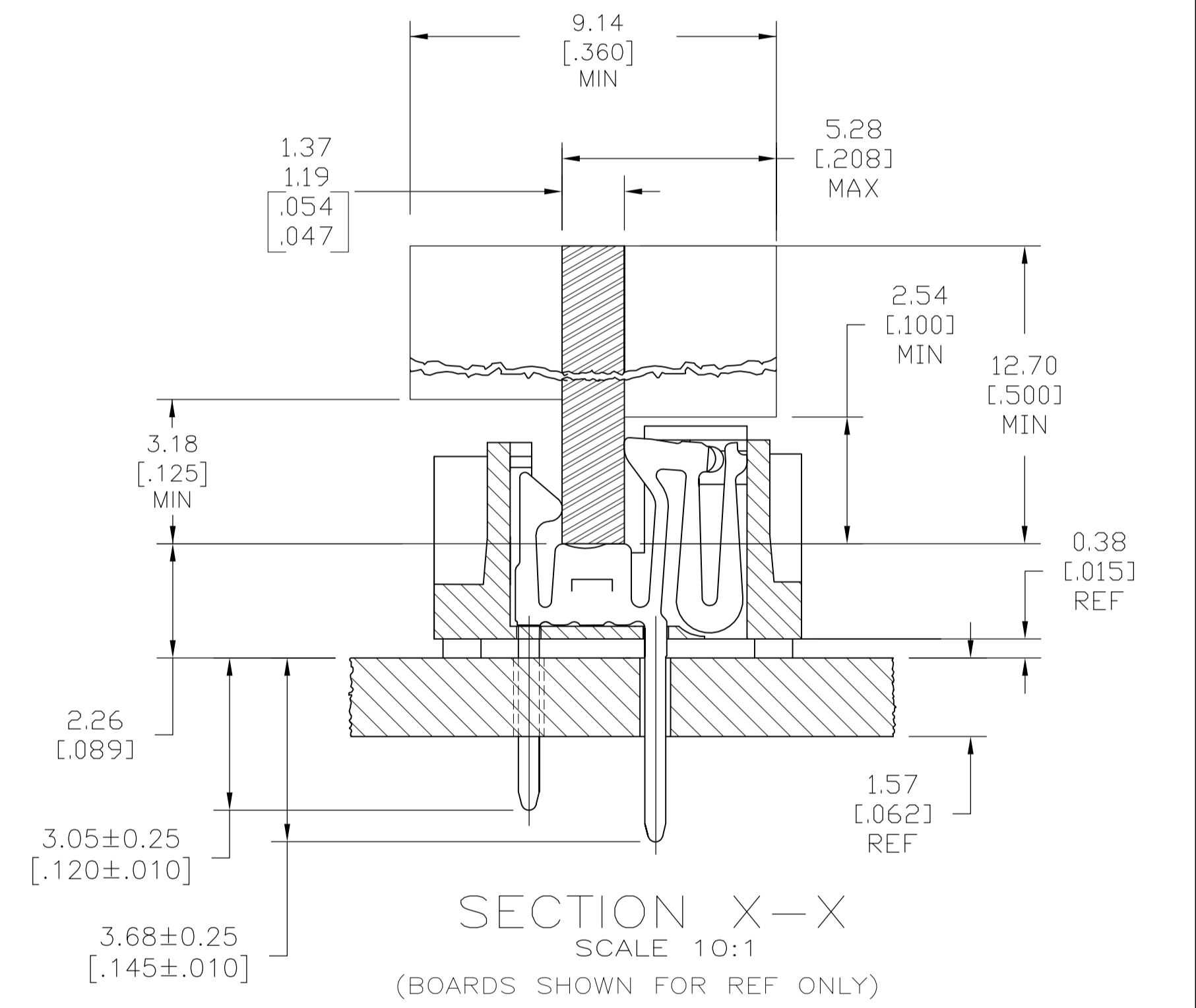


LOC		DIST		REVISONS			
GP	00	REV	DATE	BY	CHKD	APVD	
B1		REVISED PER ECO-11-005033	26MAR11	RK	HMR		



- △ HOUSING-MATERIAL : LIQUID-CRYSTAL-POLYMER, COLOR: NATURAL.
- △ CONTACT-MATERIAL : PHOS. BRONZE.
- △ LATCH-MATERIAL : BRASS, NICKEL PLATE
- △ CONTACT-PLATE: 0.00508[.000200] MIN MATTE TIN OVER 0.00127 [.000050] MIN NICKEL.
- 5. IN ADDITION TO THOSE RECOMMENDED "SMM" P.C. BOARD DIMENSIONS AND TOLERANCES SHOWN, ALL JEDEC SPECIFICATIONS APPLY AS SHOWN ON MO-116, ISSUE A.
- 6. RECOMMENDED MATING S.I.M.M. TAB METALLURGY: BASE METAL-COPPER. PLATING TO BE 0.00762[.000300] MIN TIN/LEAD OVER 0.00127[.000050] MIN NICKEL.
- △ DATE CODE: (YEAR WEEK) XXXX FORMAT, LOCATED APPROXIMATELY AS SHOWN ON OPPOSITE SIDE.



118.11[4.650]	111.35[4.384]	60.96[2.400]	49.53[1.950]	125.73[4.950]	105.41[4.150]	80	5822021-5
107.95[4.250]	101.19[3.984]	55.88[2.200]	44.45[1.750]	115.57[4.550]	95.25[3.750]	72	5822021-4
F	E	D	C	B	A	NO OF POSN	PART NO

THIS DRAWING IS A CONTROLLED DOCUMENT.		DIN S. WAITMAN SJANOS	TE Connectivity
DIMENSIONS: mm [INCHES]		CHK: M. YFOMANS SJANOS	
TOLERANCES UNLESS OTHERWISE SPECIFIED:		APVD: M. YFOMANS SJANOS	CONNECTOR, MICRO-EDGE, .050, VERTICAL, TIN PLATE, METAL LATCH
0 PLC ± -		PRODUCT SPEC	
1 PLC ± -		APPLICATION SPEC	SIZE: A1
2 PLC ± 0.13[.005]		WEIGHT	CAGE CODE: 00779
3 PLC ± -		FINISH	DRAWING NO: 5822021
4 PLC ± -		CUSTOMER DRAWING	SCALE: 4:1
ANGLES ± -			SHEET 1 OF 1
			REV B1